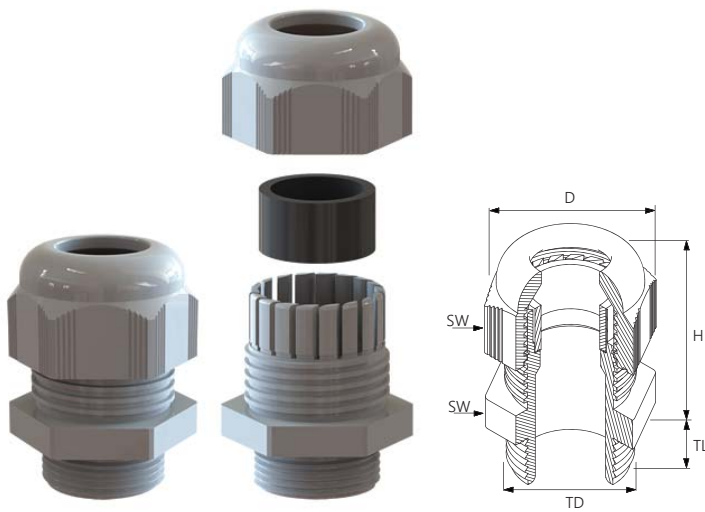


NPT THREAD CABLE GLANDS

BSP



Technical Details		
Material	Body	PA 6 (Polyamide 6)
	Cap	PA 6 (Polyamide 6)
	Seal	CR (Chloroprene Rubber)
Flammability		V2 (According to UL 94)
Protection Class		IP 68 - 5 Bar
Operating Temperature	Permanent	-20 °C up to +100 °C
	Intermittent	-30 °C up to +150 °C
Attachment Thread		ANSI B 1.20.1
Benefits		Easy to assemble Easy handling
Accessories		Lock nuts Protection tabs Dust plugs Reducing seals Flat cable seals Multihole seals Gasket
Approvals		Please see page Certificates
UV Test Report Ref. & Standard		RES 107572 & UL514B § 8.26.7
Remarks		Other colours on request (Red-White-Blue) Different sealing types available Large accessory range Manufactured according to the requirements of EN 50262

Thread Type	Technical Information						Codes			Packing Information		
	Clamp.Range Ø min-max mm	Clamp.Range Ø min-max inch	TL inch	TD inch	SW inch	Max. H inch	D inch	Ral 7001	Ral 7035	Ral 9005	Inner Pack	Box/Min. Qty.
NPT 3/8"	5,0 - 10,0	0,197-0,394	0,590	0,653	0,866	1,140	0,990	BSPA-01	BSPA-11	BSPA-21	50	2.000
NPT 1/2"	6,0 - 12,0	0,236-0,472	0,590	0,750	0,940	1,200	1,090	BSPB-02	BSPB-12	BSPB-22	50	1.800
	10,0 - 14,0	0,394-0,551			1,062	1,263	1,220	BSPC-02	BSPC-12	BSPC-22		
NPT 3/4"	13,0 - 18,0	0,511-0,709	0,590	1,030	1,299	1,397	1,464	BSPD-03	BSPD-13	BSPD-23	25	750
NPT 1"	18,0 - 25,0	0,709-0,984	0,708	1,290	1,650	1,594	1,870	BSP-04	BSP-14	BSP-24	20	600
Glands With Reducing Sealing												
NPT 3/8"	3,0 - 7,0	0,118-0,276	0,590	0,653	0,866	1,140	0,990	BSPA-01R	BSPA-11R	BSPA-21R	50	2.000
NPT 1/2"	5,0 - 9,0	0,197-0,354	0,590	0,750	0,940	1,200	1,090	BSPB-02R	BSPB-12R	BSPB-22R	50	1.800
	7,0 - 12,0	0,276-0,472			1,062	1,263	1,220	BSPC-02R	BSPC-12R	BSPC-22R		
NPT 3/4"	9,0 - 16,0	0,354-0,630	0,590	1,030	1,299	1,397	1,464	BSPD-03R	BSPD-13R	BSPD-23R	25	750
NPT 1"	12,0 - 20,0	0,472-0,787	0,708	1,290	1,650	1,594	1,870	BSP-04R	BSP-14R	BSP-24R	20	600