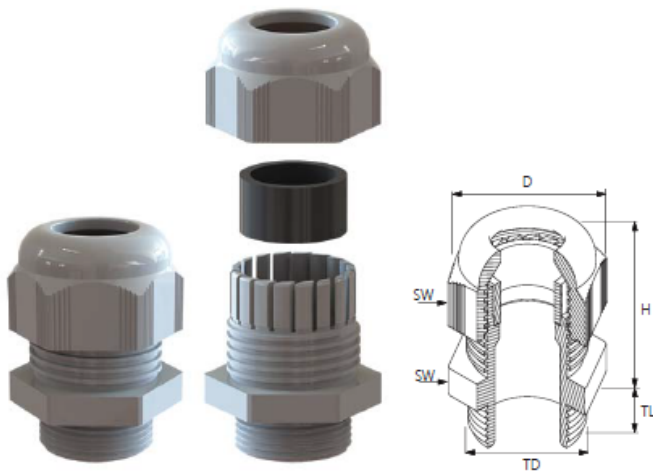


# NPT THREAD CABLE GLANDS BSP



Technical Details		
Material	Body	PA 6 (Polyamide 6)
	Cap	PA 6 (Polyamide 6)
	Seal	CR (Chloroprene Rubber)
Flammability	V2 (According to UL 94)	
Protection Class	IP 68 - 5 Bar	
Operating Temperature	Permanent	-20 °C up to +100 °C
	Intermittent	-30 °C up to +150 °C
Attachment Thread	ANSI B 1.20.1	
Benefits	Easy to assemble	
	Easy handling	
Accessories	Lock nuts	
	Protection tabs	
	Dust plugs	
	Reducing seals	
	Flat cable seals	
	Multihole seals	
	Gasket	
Approvals	Please see page Certificates	
UV Test Report Ref. & Standard	RES 107572 & ULS14B § 8.26.7	
Remarks	Other colours on request (Red-White-Blue)	
	Different sealing types available	
	Large accessory range	
	Manufactured according to the requirements of EN 50262	

Technical Information							Codes			Packing Information		
Thread Type	Clamp.Range Ø min-max mm	Clamp.Range Ø min-max inch	TL inch	TD inch	SW inch	Max. H inch	D inch	Ral 7001	Ral 7035	Ral 9005	Inner Pack	Box/Min. Qty.
NPT 3/8"	5,0 - 10,0	0,197-0,394	0,590	0,653	0,866	1,140	0,990	BSPA-01	BSPA-11	BSPA-21	50	2.000
NPT 1/2"	6,0 - 12,0	0,236-0,472	0,590	0,750	0,940	1,200	1,090	BSPB-02	BSPB-12	BSPB-22	50	1.800
	10,0 - 14,0	0,394-0,551			1,062	1,263	1,220	BSPC-02	BSPC-12	BSPC-22		
NPT 3/4"	13,0 - 18,0	0,511-0,709	0,590	1,030	1,299	1,397	1,464	BSPD-03	BSPD-13	BSPD-23	25	750
NPT 1"	18,0 - 25,0	0,709-0,984	0,708	1,290	1,650	1,594	1,870	BSP-04	BSP-14	BSP-24	20	600
<b>Glands With Reducing Sealing</b>												
NPT 3/8"	3,0 - 7,0	0,118-0,276	0,590	0,653	0,866	1,140	0,990	BSPA-01R	BSPA-11R	BSPA-21R	50	2.000
NPT 1/2"	5,0 - 9,0	0,197-0,354	0,590	0,750	0,940	1,200	1,090	BSPB-02R	BSPB-12R	BSPB-22R	50	1.800
	7,0 - 12,0	0,276-0,472			1,062	1,263	1,220	BSPC-02R	BSPC-12R	BSPC-22R		
NPT 3/4"	9,0 - 16,0	0,354-0,630	0,590	1,030	1,299	1,397	1,464	BSPD-03R	BSPD-13R	BSPD-23R	25	750
NPT 1"	12,0 - 20,0	0,472-0,787	0,708	1,290	1,650	1,594	1,870	BSP-04R	BSP-14R	BSP-24R	20	600